

**Product Installation Guidelines**

Version 1.2, 13 March 2025, Page 1 of 4

# Ezy-Lever® CP-BS™ Lead Safe Timeflow Knee Operated Valve with Regulator - 15 Sec

**PRODUCT CODES:**

- 173.61.44.00



**SPECIFICATIONS**

- Control valve taps are designed to operate at full mains pressure
- The valve has a unique self-closing operation
- Clean hygienic design
- Water saving
- Low maintenance and easy to operate
- The tap is made of chrome plated Lead Safe\* DR Brass.

*\*Our Lead Safe™ product range is compliant with the Lead Free Requirements of the NCC 2022 Vol. Three, Clause A5G4(2) and NSF/ANSI 372.*

**IMPORTANT:** All Ezy-Lever® Knee Operated taps are tested in accordance with AS 3718 and leave our premises in good working order.

**Note:** Run time is based on 500kPa, @ 22 degrees Celsius. Time will vary plus or minus 30% based on water temperatures, pressures, flow rates and water quality.

**TECHNICAL DATA**

Inlet	1/2" BSP - Male	
Outlet	1/2" BSP - Male	
Headwork	Time Flow Cartridge	
Working Pressure Range (kPa)	Min	100
	Max	500
Working Temperature Range (°C)	Min	5
	Max	65
Nominal Flow Rate (LPM)	5	
Run Time (Seconds)	15	
Construction	Brass	
Finish	Chrome	

**NOTE:** Galvin Specialised continually strive to improve their products. Specifications may change without notice.

**TOOLS REQUIRED**

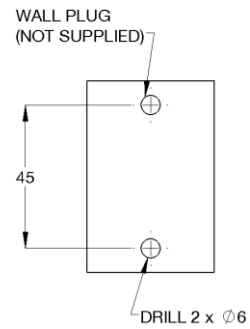
- Power drill
- Spanner
- Thread tape

**PRE-INSTALLATION**

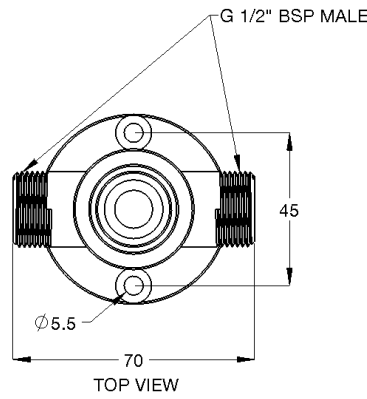
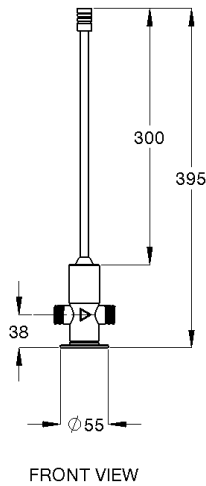
**MOUNTING DETAILS**

- If the mounting holes do not already exist, mark out and drill the holes, as shown in rough-in dimensions.

**Note:** Before installation, all lines must be flushed. We recommend that a line strainer be installed prior to taps to eliminate any foreign material.

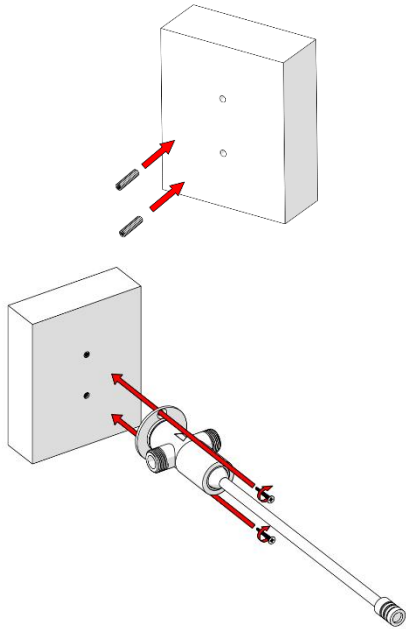


Rough-In Dimensions



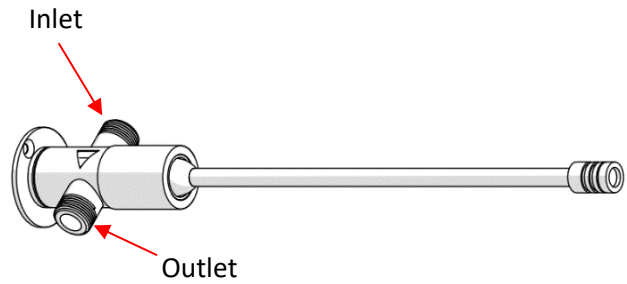
## INSTALLATION

**IMPORTANT:** Galvin Specialised products must be installed in accordance with these installation instructions and in accordance with AS/NZS 3500, the PCA and your local regulatory requirements. Water and/or electrical supply conditions must also comply to the applicable national and/or state standards. Failing to comply with these provisions shall void the product warranty and may affect the performance of the product.



### 1. Mounting wall valve

- Ensure the wall plug holes are as per rough-in dimensions above.
- Fit wall plugs (not supplied).
- Fit the wall valve on the wall.
- Secure the wall valve with suitable screws (not supplied).



### 2. Water connection

- When applying thread tape or sealant to the inlet, ensure the opening is not obscured.
- Fit water connections as shown ensuring the water flow is as per the indicator marked on the valve body.
- Turn on mains water and check for leaks and correct operation.

**TROUBLESHOOTING**

<b>PROBLEM</b>	<b>CAUSE</b>	<b>RECTIFICATION</b>
Water is not flowing or inconsistent flow.	Blocked flow restrictor/dirt in the cartridge/water supply not on.	Remove flow regulator from the inlet and remove debris. Install an inline strainer to stop further blockages. Ensure water supply is turned on.
Continous flow of water.	Top assembly cartridge loose or internally obstructed or damaged.	Remove cartridge, clean with water and re-grease spindle if required.
Rate of flow inadequate.	The flow restrictor may not be satisfactory due to inadequate supply pressure.	Remove flow restrictor and replace with a flow restrictor of different capacity to suit (available from Galvin Specialised).
No time flow – water shuts off upon release.	Small spring at the bottom of the cartridge piston dislodged.	Relocate spring, regrease spindle if required.

**WARRANTY**

Galvin Engineering products are covered under our Manufacturer's Warranty. Galvin Engineering products must be installed in accordance with the installation instructions and in accordance with AS 3500 and NCC Volume Three, relevant Australian Standards and local authorities applicable to product being installed. Water and electrical supply conditions must also comply to the applicable national and/or state standards, failing to comply with these provisions may void the product warranty and affect performance of the product.

Please visit [www.galvinengineering.com.au](http://www.galvinengineering.com.au) to view the full warranty, our Installation Compliance and Maintenance & Cleaning information as well as any other additional information.